

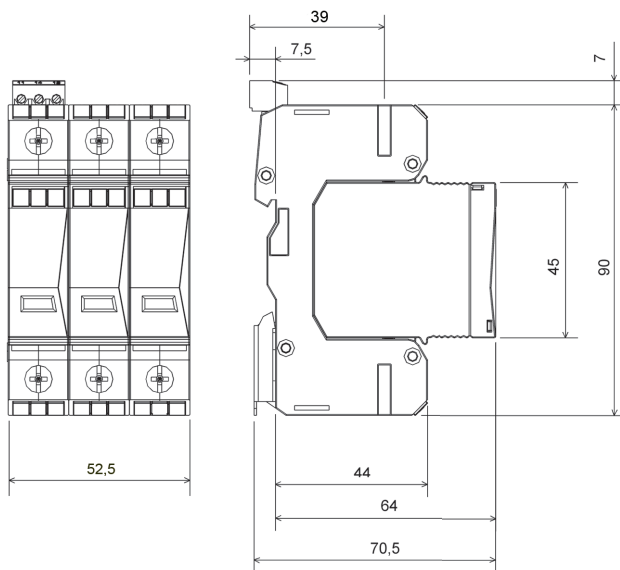
PO II 3 PH / PO II 2+1 PH

- For protection of DC circuit photovoltaic systems with operating voltage up to 1000V
- 3-pole protection with enhanced withstand against failure of insulation against the earth
- Plug-in protectives modules
- Varistor modules for protection against overvoltage
- Spark gap modul for galvanic insulation from the earth
- Optical signalization of operation state
- Remote signalization of operation state (R version)
- Protective modules rotatable with respect to the base through 180°
- Multifunctional terminals for conductors and bus bars

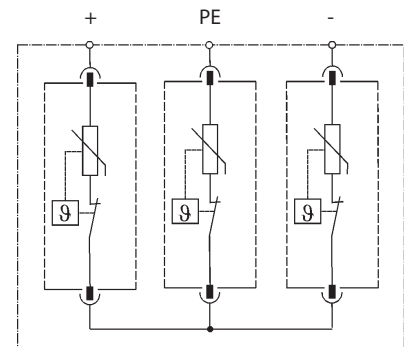


SPD typ 2

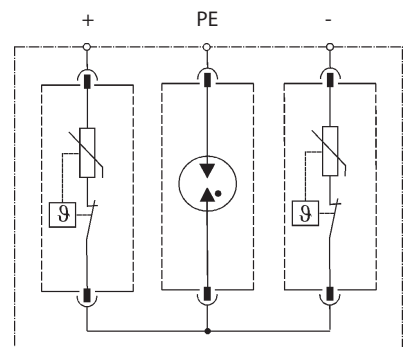
DIMENSIONS



CONNECTION DIAGRAM

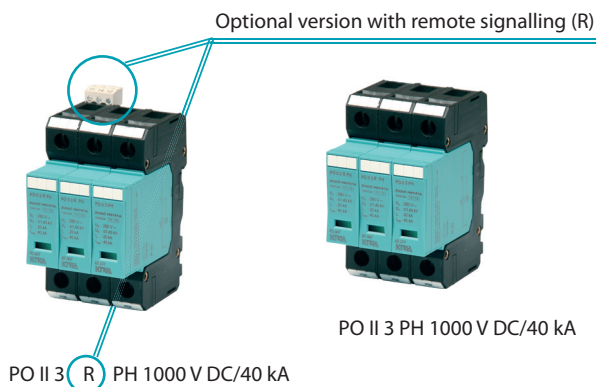


PO II 3 PH



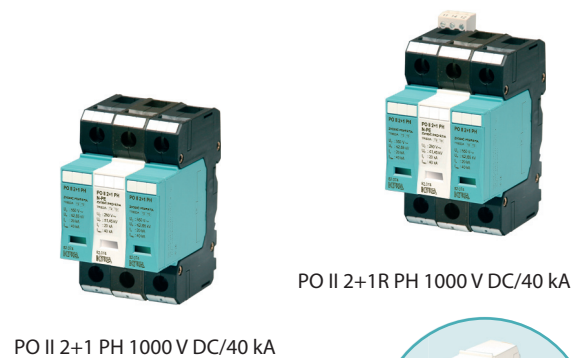
PO II 2+1 PH

R VERSION



PO II 3 R PH 1000 V DC/40 kA

PO II 3 PH 1000 V DC/40 kA



PO II 2+1 R PH 1000 V DC/40 kA

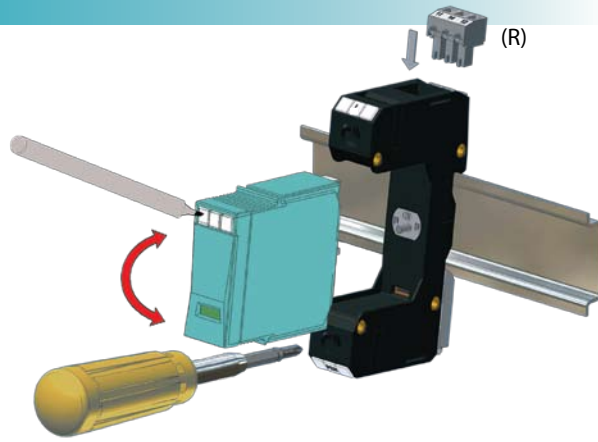
PO II 2+1 PH 1000 V DC/40 kA

PE modul

Each product's modification containing varistor module, can be equipped with remote signalling system to identify a state of overvoltage protection device

INSTALLATION

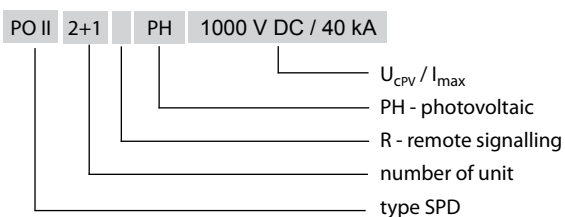
- Installation on DIN rail
- Cable labeling system using Dekafix replaceable strips
- Plug-in varistor can be turned through 180°



TECHNICAL PARAMETERS

KIWA	TYPE	PO II 3 PH	PO II 2+1 PH	PO II 3 PH	PO II 2+1 PH
Number of ports		3	2+1	3	2+1
Max. operating voltage T_2	U_{CPV}	600 V=	600 V=	1000 V=	1000 V=
Nominal discharge current (8/20) T_2	I_n	20 kA	20 kA	20 kA	20 kA
Max. discharge current (8/20) T_2	I_{max}	40 kA	40 kA	40 kA	40 kA
Voltage protection level at 5 kA (8/20)	U_p				
	L+/L-	2,6 kV	2,6 kV	4 kV	4 kV
	L+/-PE	2,6 kV	1,5 kV	4 kV	2,5 kV
Response time	t_A	<25 ns		<25 ns	
	L+/L-		<25 ns		<25 ns
	L+/-PE		<100 ns		<100 ns
Prospective short-circuit current of a power supply	I_p	25 kA _{ef}		25 kA _{ef}	
Overcurrent protection gL/gG		≤125 A		≤125 A	
Operating temperature range		- 40 ... +70 °C		- 40 ... +70 °C	
Degree of protection		IP 20		IP 20	
Min. ... max. tightening torque		2 ... 3 Nm		2 ... 3 Nm	
Status indication of TDD (Thermic Disconnecting Device)		green (OK) / red(OUT)		green (OK) / red(OUT)	
Signalling changeover contact		M3/0.25 Nm, □ max. 1,5 mm ² , max. 250 V~/1 A		M3/0.25 Nm, □ max. 1,5 mm ² , max. 250 V~/1 A	
Connecting conductor cross section	- wire	4 ... 35 mm ²		4 ... 35 mm ²	
	- cord	4 ... 25 mm ²		4 ... 25 mm ²	
Munting on profiled DIN rail		35 x 7,5 mm		35 x 7,5 mm	
Dimensions		97 x 64 x 52,5 mm		97 x 64 x 52,5 mm	
Products comply with norms STN EN 61643-11/A11 IEC 61643-1 VDE 0675-06		Typ 2 T_2 Class II Klasse C		Typ 2 T_2 Class II Klasse C	

PRODUCT SPECIFICATION



TYPE	Order number
PO II 3 PH 1000 V DC/40 kA	82.072
PO II 3 R PH 1000 V DC/40 kA	82.073
PO II 2+1 PH 1000 V DC/40 kA	82.074
PO II 2+1 R PH 1000 V DC/40 kA	82.075
PO II 3 PH 600 V DC/40 kA	82.113
PO II 3 R PH 600 V DC/40 kA	82.114
PO II 2+1 PH 600 V DC/40 kA	82.115
PO II 2+1 R PH 600 V DC/40 kA	82.116

Execute below operating voltage made-to-order.